



## BIOGUARD PLAIN (ISO 5)

BIOGUARD PLAIN combines excellent cleanability and resistance to disinfectants. Along with its antimicrobial performance it is an ideal solution for healthcare environments.

### Key features

- Available in Plain surface with enhanced water repellency
- High light reflectance: 87 %
- Washable
- Safe use with disinfectants
- ISO 5

### Application areas

Ideal for healthcare environments with average or severe risk of infection.

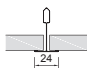
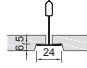
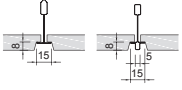
HEALTHCARE - Trinity Biomedical Sciences Institute (IE)  
BIOGUARD Plain



Inspiring Great Spaces®

**Armstrong®**  
CEILING SOLUTIONS

# BIOGUARD PLAIN (ISO 5)

EDGE DETAIL	BOARD	TEGULAR	MICROLOOK
			
<b>THICKNESS (mm)</b>	<b>15</b>	<b>15</b>	<b>15</b>
<b>MODULES (mm)</b>	600 x 600 ..... 2221M 1200 x 600 ..... 2222M	600 x 600 ..... 2223M	600 x 600 ..... 2224M
<b>SUSPENSION SYSTEMS</b>	Prelude 24 XL <sup>2</sup> / TLS Prelude 24 Corrosive Resistant Clean Room 24	Prelude 24 XL <sup>2</sup> / TLS Clean Room 24	Prelude 15 TL / XL <sup>2</sup> Interlude HRC XL <sup>2</sup>

**COLOURS**



Global White

**SUSTAINABILITY**



37-40






A+ / A<sup>1</sup>




E1

<sup>1</sup> Depends on thickness, edge detail and size of tile.

**ACOUSTICS**

				Hz α <sub>p</sub>							
	D <sub>nfw</sub>	R <sub>w</sub>	α <sub>w</sub>	Class	NRC	125	250	500	1000	2000	4000
Board, Tegular, MicroLook	35 dB	19 dB	0.20(L)	E	0.20	0.40	0.25	0.15	0.15	0.20	0.30


**FIRE REACTION**





EEA Euroclass A2-s1, d0  
EN 13501-1


RUS KM1 (G1, V1, D1, T1)  
FZ 123


**OTHER PERFORMANCES & FEATURES**


 87%


 λ = 0.060 W/m K  
EN 12667 & ISO 8301


 95% RH


 ≈ 3.6 kg/m<sup>2</sup>

 ISO 5  
ISO 14644-1









**30YEAR**  
system guarantee

**BIM**  
READY