

AXIOM BLIND BOXES

Extruded aluminium profiles for detailing perimeter blind boxes or concealed lighting features

Key Attributes

- Pre-engineered profiles using Axiom universal accessories for a secure and easy installation
- Provide a sharp finish to integrate with suspended ceiling tiles or plasterboard ceilings
- Factory finished - no on-site decoration required - save time on plastering, sanding and painting

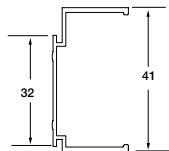
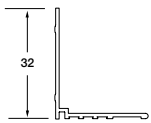
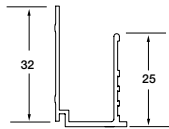
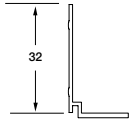
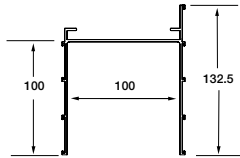
Application area

All ceilings - Perimeters / Lighting features

Physical data

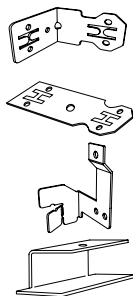
- Material: aluminium
- Surface finish: polyester powder painted
- Colour: Global White / RAL 9010
- Other colours available upon request

PRODUCT RANGE



Item Nr.	Designation	Dimensions		Content / Carton		Weight / Carton kg	Cartons / Pallet
		length (mm)	height (mm)	pcs	lm		
T 3250 ⁽¹⁾	AXIOM Blind Box - 100mm	3000	132.5	5	15.00	31.20	20
T 3251 ⁽¹⁾	AXIOM Blind Box Perimeter angle	3000	32	10	30.00	4.60	36
T 3252 ⁽¹⁾	AXIOM Blind Box Transition upstand 13mm Board	3000	32	10	30.00	7.10	36
T 3253 ⁽¹⁾	AXIOM Blind Box Transition angle	3000	32	10	30.00	5.00	36
T 3254 ⁽¹⁾	AXIOM Blind Box Perimeter channel	3000	41	10	30.00	8.00	36

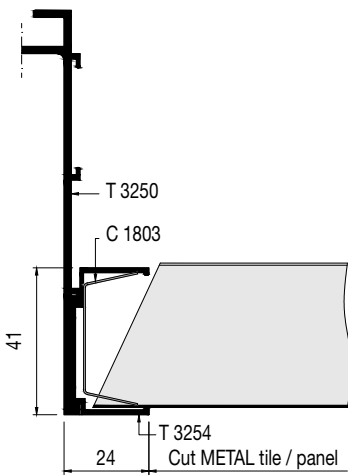
ACCESSORIES



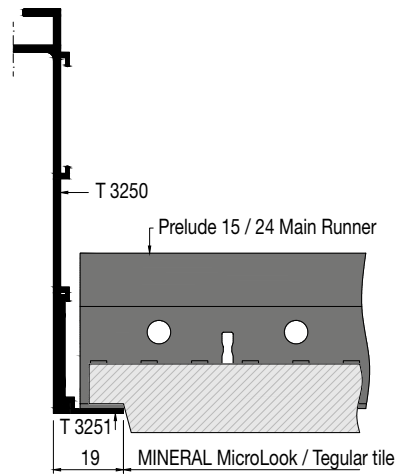
Item Nr.	Designation	Dimensions height (mm)	Content / Carton pcs	Weight / Carton kg
A 340 H	AXIOM Universal corner clip	-	100	2.10
A 338 H	AXIOM Universal splice plate	-	100	2.10
A 344 H	AXIOM Universal hanging clip	-	100	2.10
A 3255	Hanger for AXIOM Blind Box	25	10	2.10

● CROSS SECTION

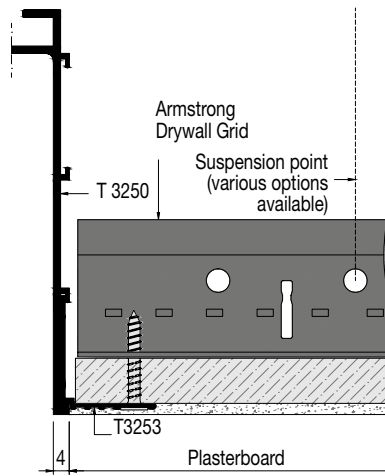
Cross Section
Cut Metal Tile



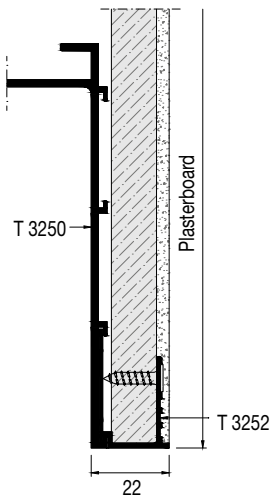
Cross Section
MicroLook / Tegular



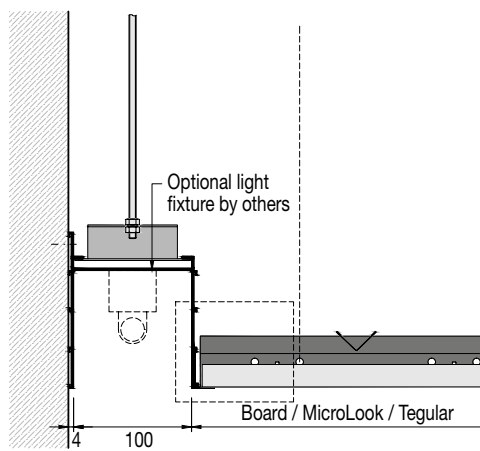
Cross Section
Plasterboard Horizontal



Cross Section
Plasterboard Vertical



AXIOM Blind Box to Wall



All canopies available in Global White. For any other colours, please contact Armstrong Technical Sales.
 (1) Also available in RAL 9010.
 All measurements in millimeters. All sizes are nominal.
 Availability of products may vary according to location.
 Please contact Armstrong Technical Sales for further details.

www.armstrongceilings.co.uk

Armstrong[®]
 CEILING SOLUTIONS